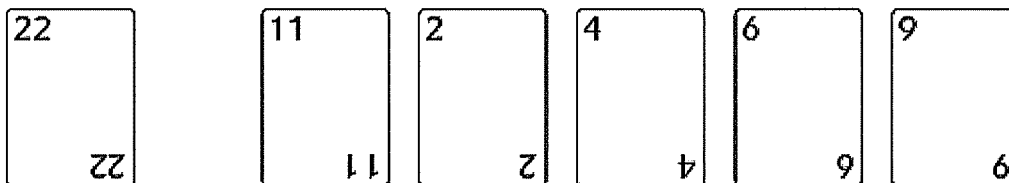


Unit 1 Review

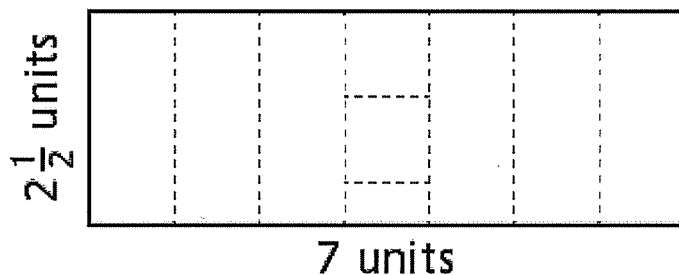
Name: _____

1. Jacari was playing *Name That Number*. He had the cards shown below. Write two different expressions that show how Jacari could play his cards. Use grouping symbols in at least one of the expressions.



Target
Number

2. Find the area of the rectangle. Write a number sentence to show your thinking.



3. Solve.

a. $7 * (5 + 4) =$ _____

b. $(7 * 5) + 4 =$ _____

c. _____ $= (35 \div 5) + 2$

d. _____ $= 35 \div (5 + 2)$

4. Select the items that have volume.

- A) bathtub
- B) the tip of a marker
- C) a can of tomato sauce
- D) a drawing of a triangle
- E) the inside of a planet
- F) the surface of a mirror

5.

a. Hiroto filled a box and said its volume was 58 balls. Aisha filled the same box and said its volume was 67 cubes. Explain how Hiroto and Aisha could get different volumes for the same box.

b. Are balls or cubes better for measuring the volume of a rectangular prism? Why?

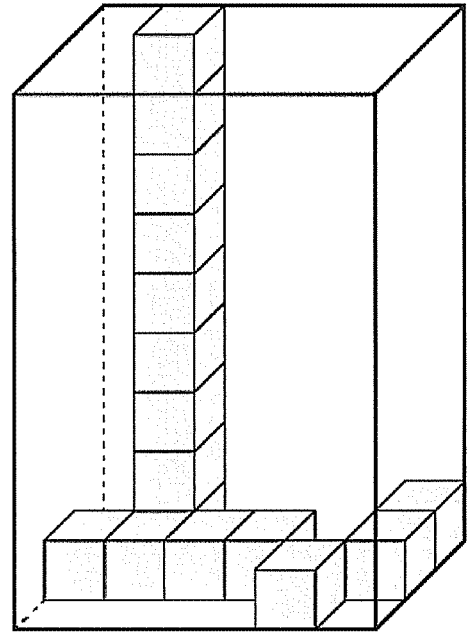
6.

How many cubes would it take to fill this prism?

_____ cubes

What is the volume of this prism?

_____ cubic units



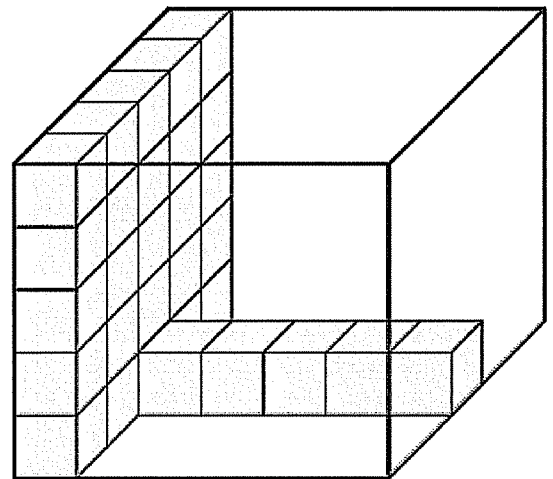
7.

How many cubes would it take to fill this prism?

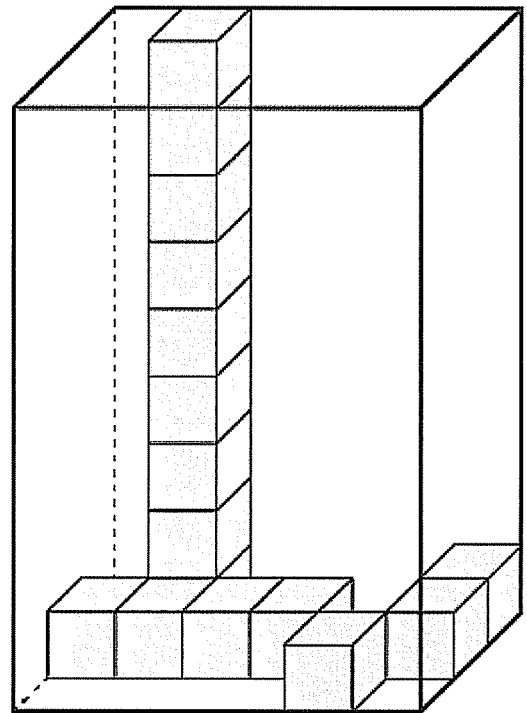
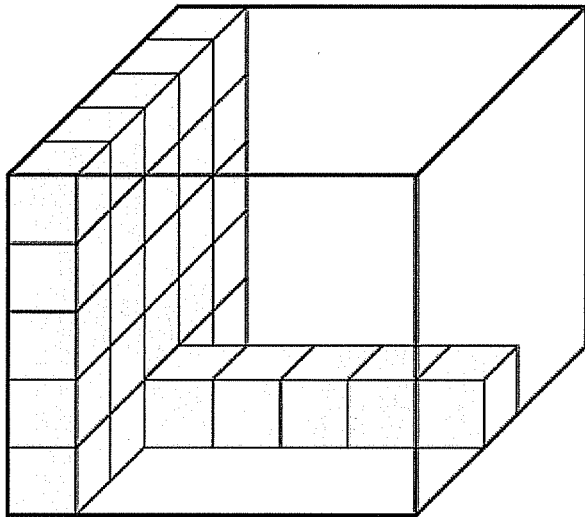
_____ cubes

What is the volume of this prism?

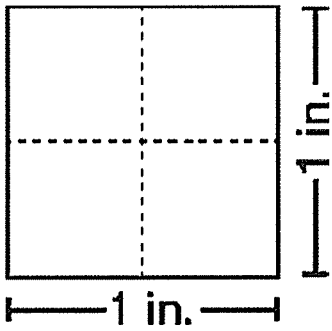
_____ cubic units



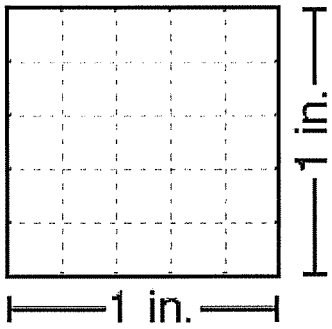
8. Compare the strategies you used to find the volume in the two previous problems. How were they the same? How were they different?



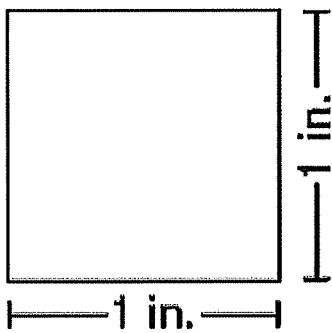
9.
4 squares with side length $\frac{1}{2}$ inch fit in 1 square inch.



25 squares with side length $\frac{1}{5}$ inch fit in 1 square inch.



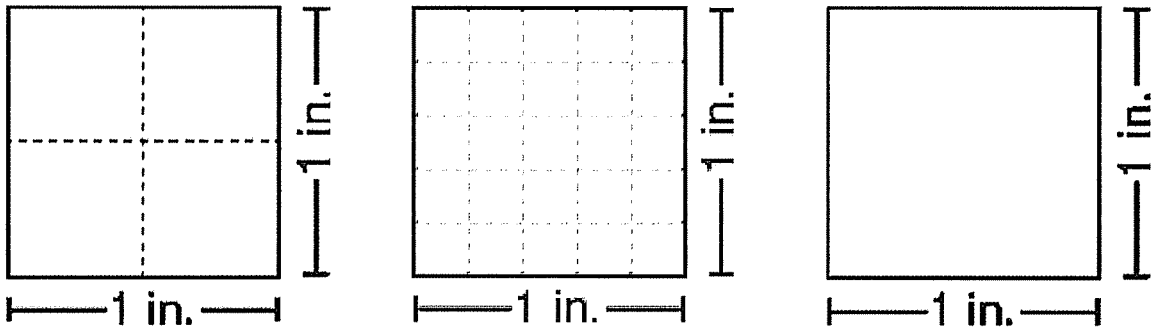
How many squares with side length $\frac{1}{7}$ inch will fit into 1 square inch? You may want to draw a picture to help you.



_____ squares

10.

a. What pattern do you notice about the relationship between the side length of the smaller squares and the number of squares that will fit in 1 square inch?

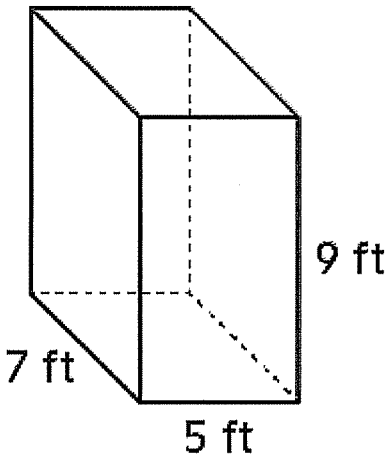


b. Use the pattern to explain how many squares with side length $\frac{1}{9}$ inch would fit into 1 square inch.

Find the volume of the rectangular prism. Remember to include a unit.

Write a number sentence to show how you found the volume.

Use the following formulas to help you: $V = l \times w \times h$ and $V = B \times h$.

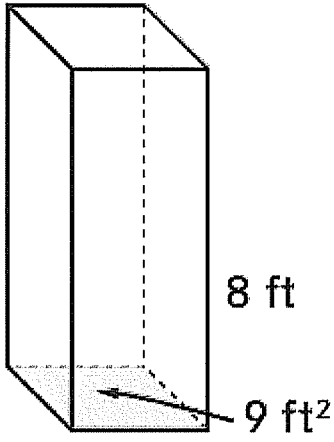


11.

Find the volume of the rectangular prism. Remember to include a unit.

Write a number sentence to show how you found the volume.

Use the following formulas to help you: $V = l \times w \times h$ and $V = B \times h$.



12.

Kara was raising money to donate. She earned \$36 from her lemonade stand and \$12 for watching her neighbor's pets. She donated half the money to the food bank.

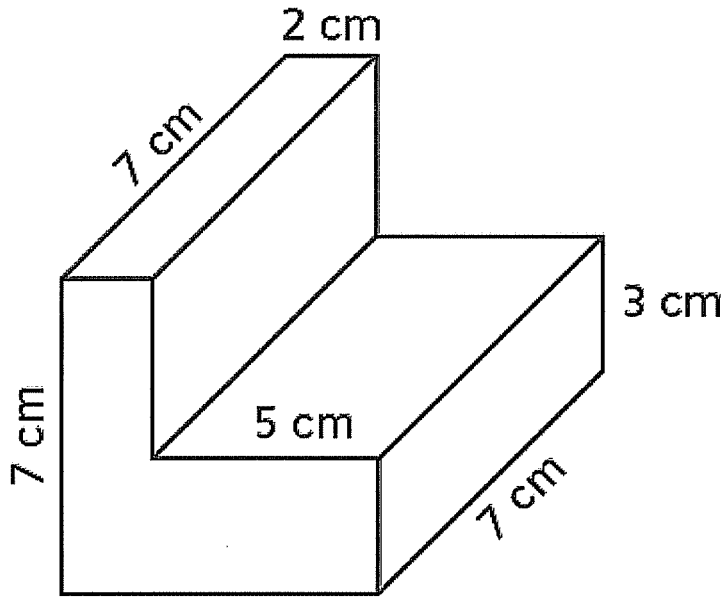
Write an expression that models the amount of money Kara donated.

Expression: _____

Use paper and pencil to solve the problem.

13.

a. Find the volume of this figure.

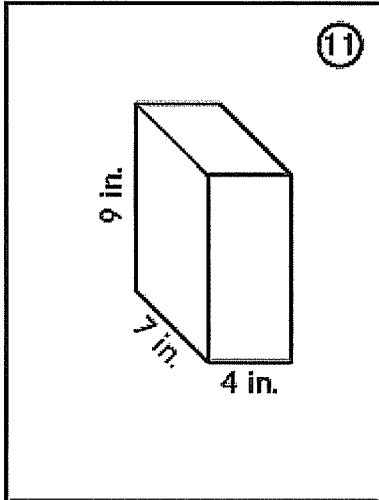


b. Explain how you found the volume.

14. Use paper and pencil to solve the problem.

Write the volume of each figure and the number sentence you used to find it. Then identify and circle the card that would win the round of Prism Pile-Up. Remember $V = l \times w \times h$.

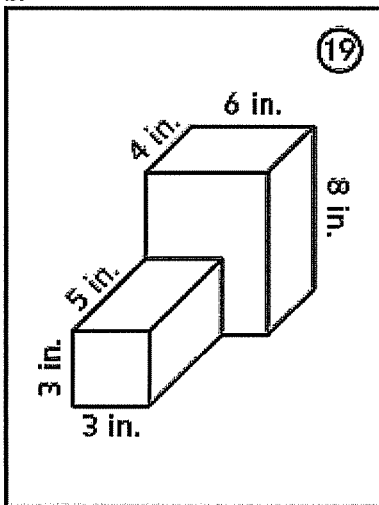
a.



$V =$ _____ cubic centimeters

Number Sentence:

b.



$V =$ _____ cubic centimeters

Number Sentence:
